

### MIRROR K-2456

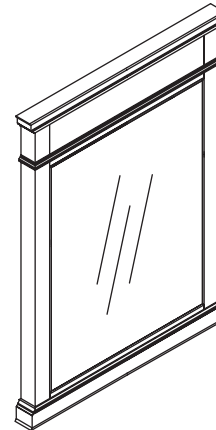
#### Features

- Knotty pine solids and veneers
- Catalyzed polyurethane finish
- Includes hanger for wall-mount installation
- Complements the Thistledown™ vanity
- 27-1/2" (69.9 cm) x 37-1/2" (95.3 cm)

#### Codes/Standards Applicable

Specified model meets or exceeds the following:

- None applicable



#### Colors/Finishes

- F9: Sienna

#### Specified Model

Model	Description	Colors/Finishes
K-2456	Mirror	<input type="checkbox"/> F9
<b>Recommended Accessory</b>		
K-2454	Vanity, 30" (76.2 cm) length	<input type="checkbox"/> F9
K-2455	Vanity, 36" (91.4 cm) length	<input type="checkbox"/> F9

#### Product Specification

The mirror shall be 27-1/2" (69.9 cm) in width and 37-1/2" (95.3 cm) in height. Mirror frame shall be made of knotty pine solids and veneers. Mirror frame shall have a catalyzed polyurethane finish. Mirror shall include a hanger for wall-mount installation. Mirror shall complement the Thistledown vanity. Mirror shall be Kohler Model K-2456-\_\_\_\_\_.

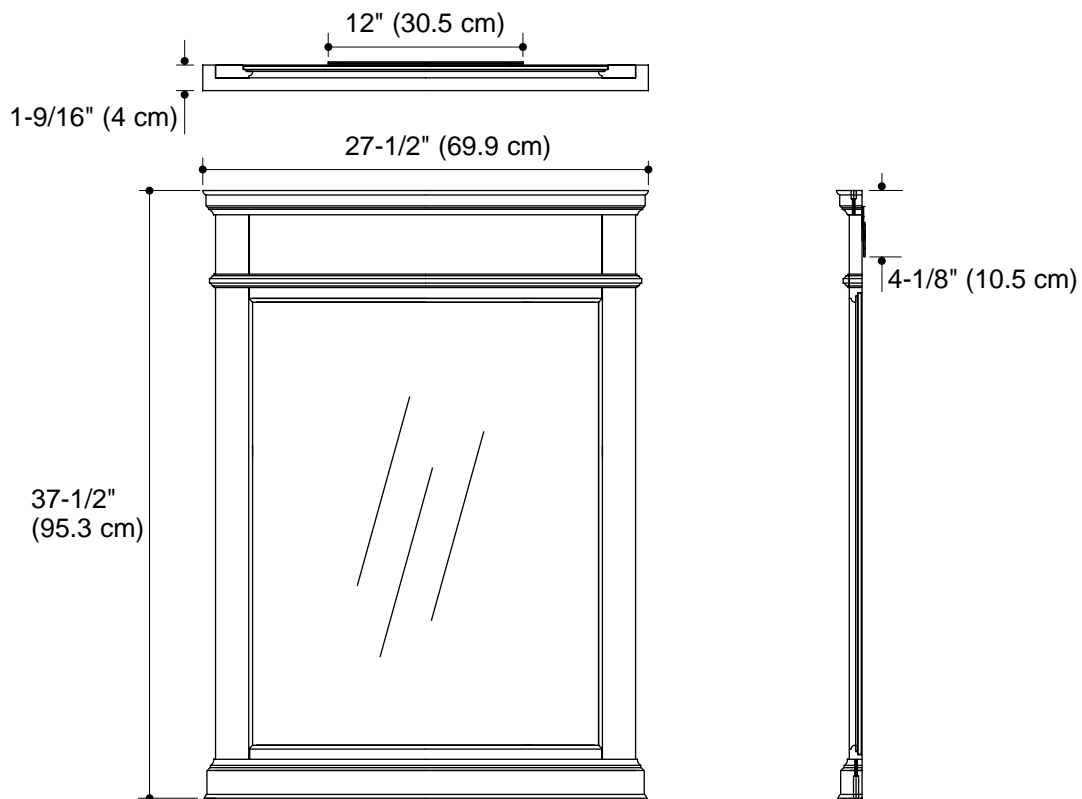
# THISTLEDOWN™

## Installation Notes

Install this product according to the installation guide.

Select the type of fastener based on the wall material. A minimum 20 lb (9.07 kg) load bearing fastener is recommended.

Install the fastener to a stud to avoid possible property and product damage.



Product Diagram